



HE-XX-LE

VERTICAL & HORIZONTAL RETRACTABLE FALL ARRESTOR BLOCK WITH HANDLE

Attachment Point

20mm zinc-plated opening for secure attachment

Strong ABS Shell

Galvanized steel rope drum

High-Strength Lifeline

4.8mm Diameter Galvanized Steel Cable (Strength >12kN)

Fall Indicator

For quick visual inspection after a drop

Swivel Safety Connector

EN362-A/T
Dual-Action, Strength >23kN

Maximum Force

Under 6 kN to minimize impact on the user during a fall

Applications

Ideal for construction, oil & gas, industrial work, and rescues

Self-Retracting Mechanism

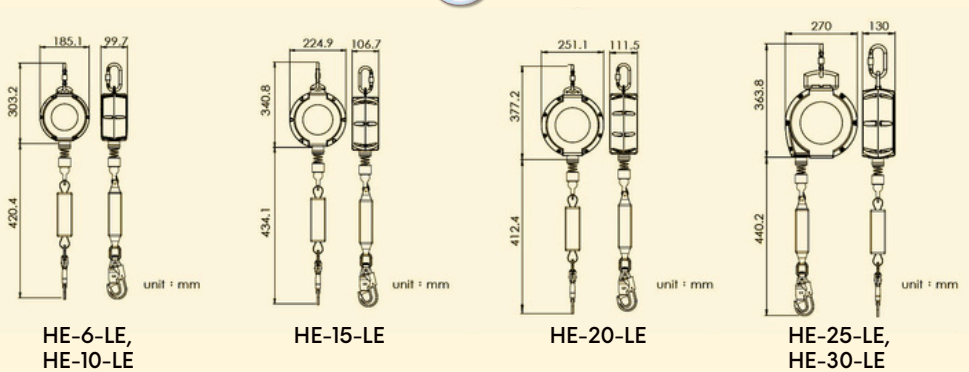
For smooth cable extension and retraction

Energy Shock Absorber

No need for an additional lanyard or separate absorber

Dual Certification

Vertical Use: EN360
Horizontal Use: EU PPE-R/11.060:2018
Certified for use over sharp edges, compliant with Type A (r>0.5mm)



MODEL	WIRE ROPE	CABLE DIAMETER	LENGTH	SAFETY LOAD	WEIGHT
HE-6-LE	GALVANIZE	Ø 4.8MM	6M	120KG	5.15KG
HE-10-LE	GALVANIZE	Ø 4.8MM	10M	120KG	5.65KG
HE-15-LE	GALVANIZE	Ø 4.8MM	15M	120KG	7.55KG
HE-20-LE	GALVANIZE	Ø 4.8MM	20M	120KG	9.55KG
HE-25-LE	GALVANIZE	Ø 4.8MM	25M	120KG	11.95KG
HE-30-LE	GALVANIZE	Ø 4.8MM	30M	120KG	12.35KG